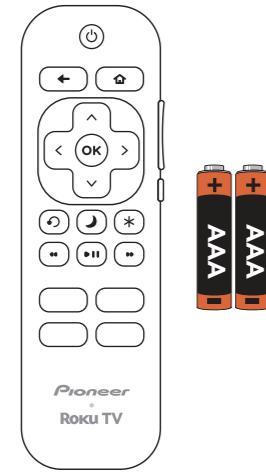


Pioneer • Roku TV

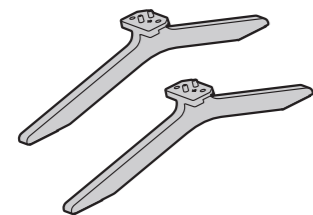
QUICK SETUP GUIDE 50" 4K LED Pioneer Roku TV

PN50-R851-27U

INCLUDED ACCESSORIES



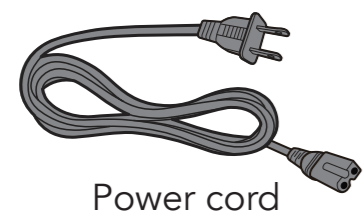
Remote and AAA battery (2)



TV stand (2)



Q4 screw
 (16 mm length) (4)



Power cord

WHAT YOU NEED (not included)

- Phillips screwdriver
- Computer, tablet, or smart phone (to connect with a Roku account)
- Roku account and internet connection (for streaming)*

*Subscription or other payment may be required to access certain content.
IMPORTANT: Roku never charges for activation. A Roku account and internet connection are required for activation. A paid subscription or other payments may be required for some streaming app content. App availability subject to change and varies by country.

FIND YOUR USER GUIDE ONLINE!

Go to www.usca.pioneer-tv.com and search for **PN50-R851-27U**.
 For Roku OS features, the *User Guide* can be found at <http://go.roku.com/tvmanual>.

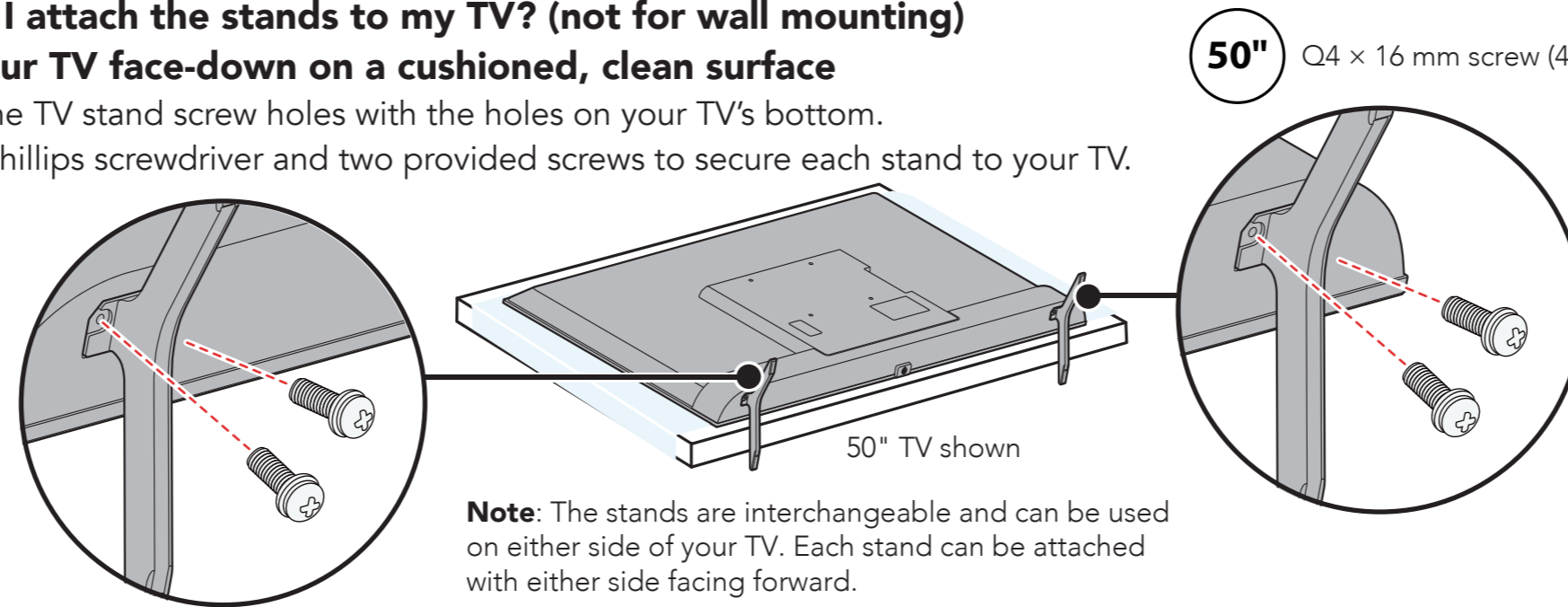
! Before using your new TV, read these instructions to prevent any damage. Do not plug your power cord in until all other devices have been connected.

1 INSTALLING THE STANDS OR A WALL MOUNT

How do I attach the stands to my TV? (not for wall mounting)

Place your TV face-down on a cushioned, clean surface

- 1 Align the TV stand screw holes with the holes on your TV's bottom.
- 2 Use a Phillips screwdriver and two provided screws to secure each stand to your TV.



WALL MOUNTING

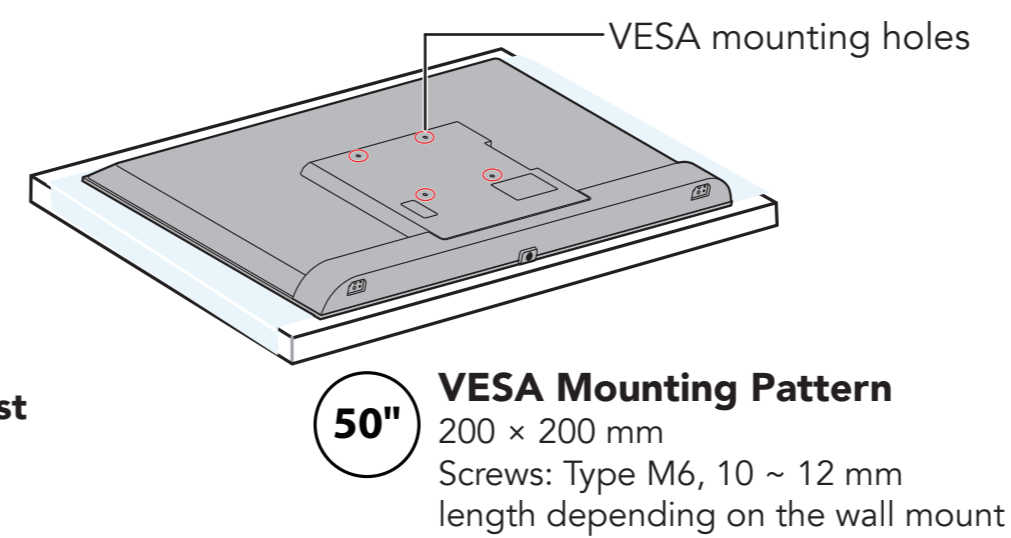
How do I mount my TV to the wall?

Before you mount your TV, make sure that:

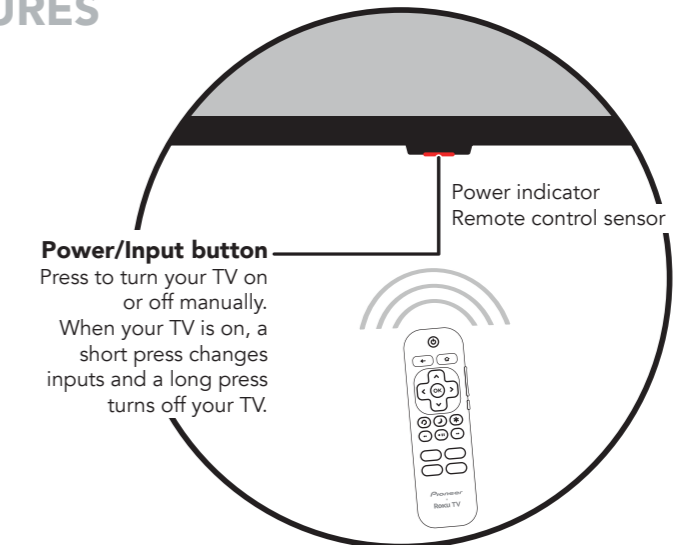
- You remove the stands if you have already installed them.
 - The wall-mount bracket supports the weight of your TV.
- See the instructions that came with your wall mount for more information about how to correctly mount your TV.

⚠ WARNING: Your TV has four VESA mounting holes on the back. **You must secure a wall-mount bracket to all four holes.** If you do not use all four holes, your TV may fall and cause property damage or personal injury.

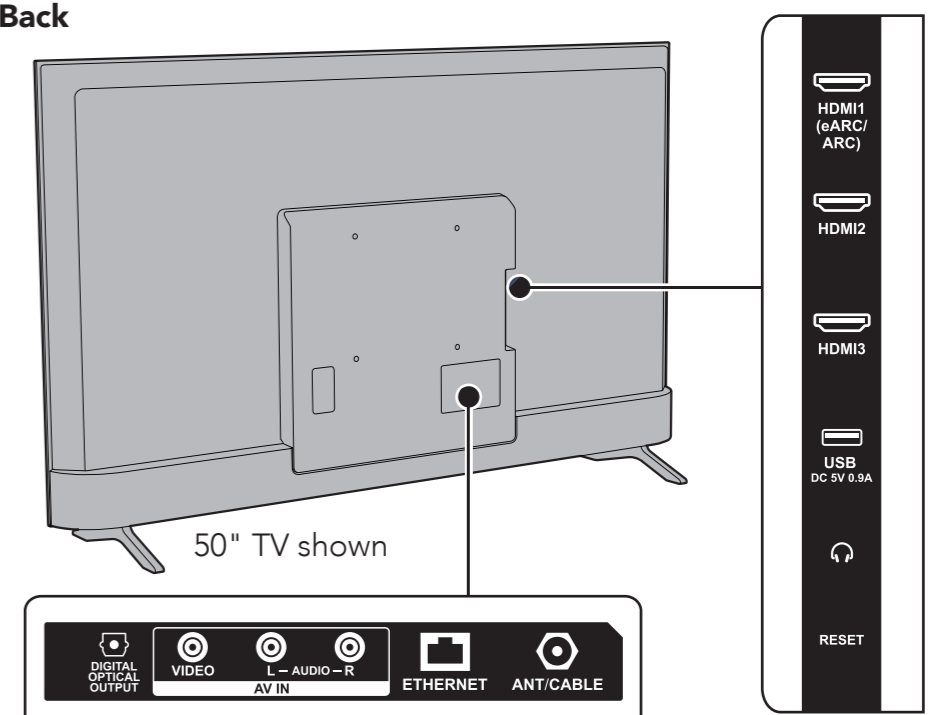
Note: Wall-mount screws are not included.



FEATURES Front



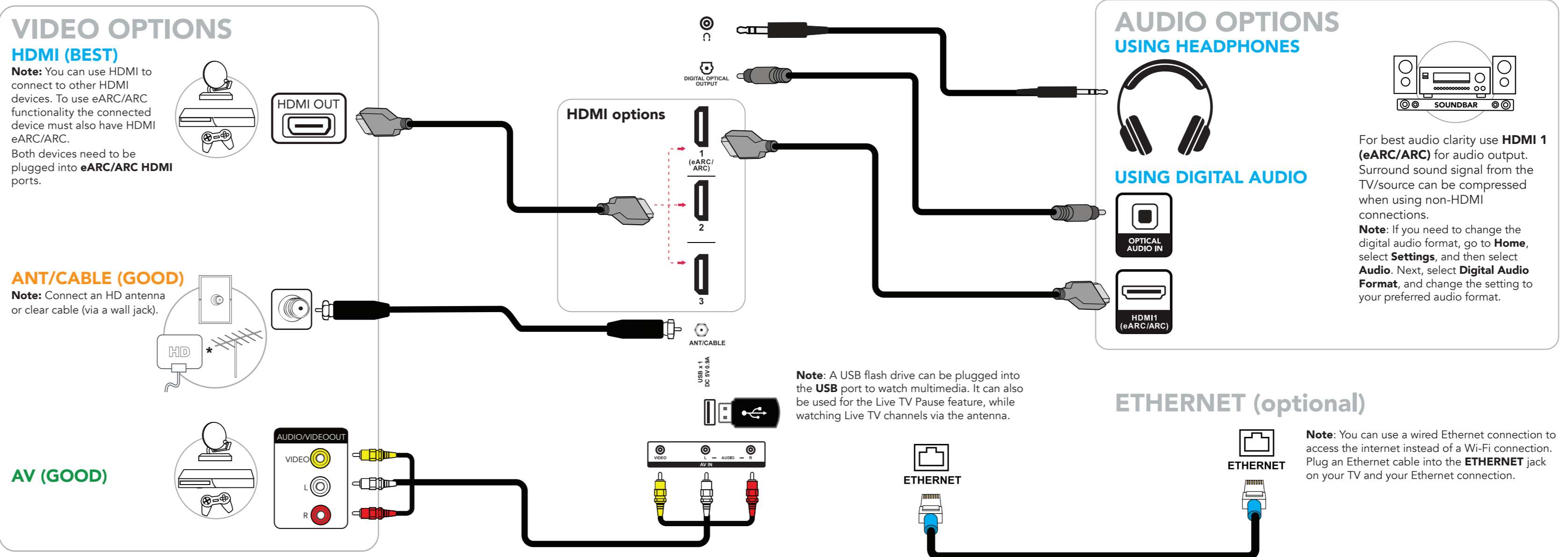
Back



Note: Images do not necessarily represent the exact design of your television.

2 MAKING CONNECTIONS

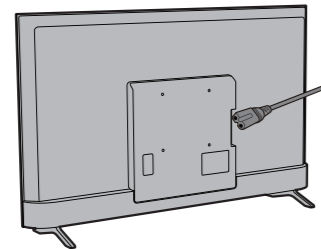
How do I watch TV (cable, satellite, or antenna) or connect a device such as a DVD or Blu-ray disc player or game console? How do I connect to the internet?



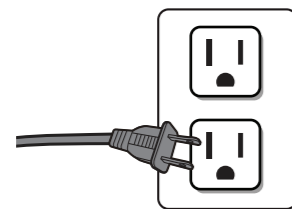
3 TURNING ON YOUR TV When can I turn on my TV?

WHEN YOUR TV IS IN PLACE:

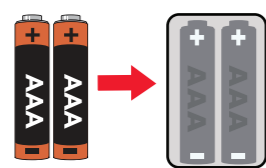
- 1 Plug one end of the power cord (included) into your TV.



- 2 Plug into a power outlet.



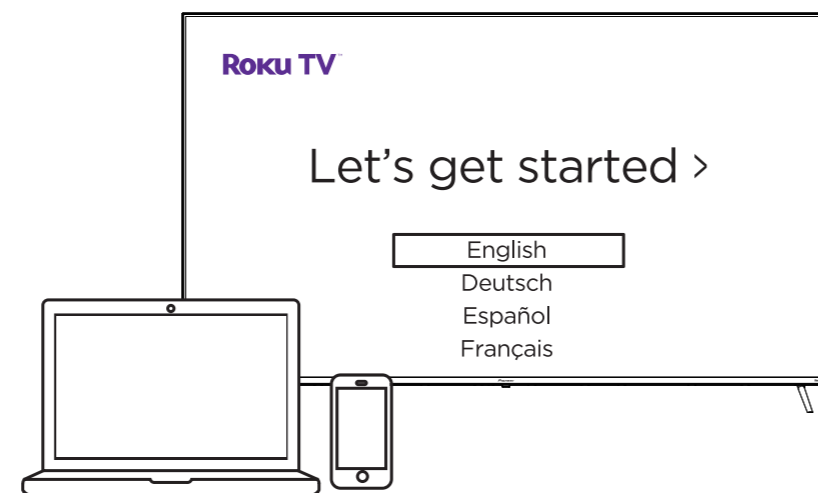
- 3 Remove the remote cover and install the batteries.



Tip: Always replace dead batteries with two brand-new AAA batteries from the same manufacturer. Never use damaged batteries. If your remote gets hot during use, stop using and contact customer support immediately.

4 COMPLETING GUIDED SETUP How do I activate my Pioneer Roku TV?

- 1 Press the **Power** button on your remote.
 - 2 Follow the on-screen instructions on your Pioneer Roku TV by using your computer or smartphone to link to a Roku account. If you are not ready to connect to the internet now, you can still use your TV to view content accessible through other connected input sources.
- Note:** When powering on your TV for the very first time, the Guided Setup screens will guide you through the Wi-Fi setup steps.



Note: Wi-Fi set up screens may change.

FREQUENTLY ASKED QUESTIONS

Why do I need an internet connection?

You will need an internet connection to stream your favorite apps and for automatic software updates.

Why should I enter a payment method?

Saving a payment method makes it easy to rent or buy movies, subscribe to popular channels, and start free trials in just a click. No charges will be made without your authorization. Roku never charges for activation.

⚠ WARNING

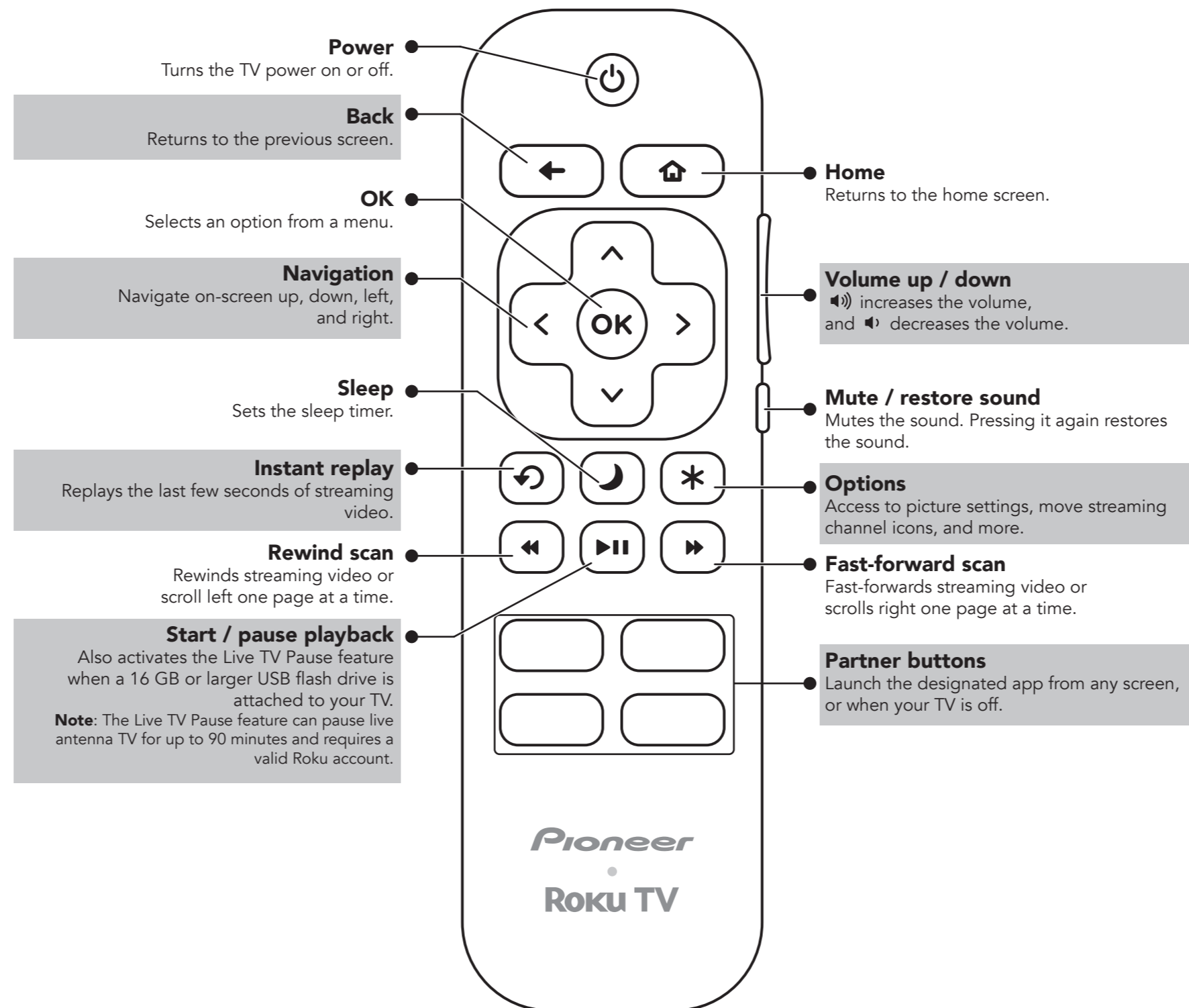
Stability hazard

A television set may fall, causing serious personal injury or death. Many injuries, particularly to children, can be avoided by taking simple precautions such as:

- ALWAYS use cabinets or stands or mounting methods recommended by the manufacturer of the television set.
- ALWAYS use furniture that can safely support the television set.
- ALWAYS ensure the television set is not overhanging the edge of the supporting furniture.
- ALWAYS educate children about the dangers of climbing on furniture to reach the television set or its controls.
- ALWAYS route cords and cables connected to your television so they cannot be tripped over, pulled, or grabbed.
- NEVER place a television set in an unstable location.
- NEVER place the television set on tall furniture (for example, cupboards, or bookcases) without anchoring both the furniture and the television set to a suitable support.
- NEVER place the television set on cloth or other materials that may be located between the television set and supporting furniture.
- NEVER place items that might tempt children to climb, such as toys and remote controls, on the top of the television or furniture on which the television is placed.

If the existing television set is going to be retained and relocated, the same considerations as above should be applied.

USING YOUR REMOTE



Pioneer • Roku TV

Access the Pioneer TV User Guide

Access the online *User Guide*. Go to www.usca.pioneer-tv.com and search for your model number. Many questions regarding parts, service, and warranties can be answered by visiting the Support section of our website: www.usca.pioneer-tv.com.

Access the Roku TV User Guide

Visit <http://go.roku.com/tvmanual> for details.

Contact Pioneer TV Customer Support Center:

1-888-287-7658 (U.S. or Canada)

One-Year Limited Warranty

Visit www.bestbuy.com for details.

Need Additional help?

Check out our Support Community at www.bestbuy.com for helpful information from other Pioneer TV owners.

We're Here For You

www.bestbuy.com

For customer service, call: 1-877-467-4289 (U.S./Canada)



The terms HDMI, HDMI High-Definition Multimedia Interface, HDMI Trade dress, and the HDMI Logos are trademarks or registered trademarks of HDMI Licensing Administrator, Inc.

Dolby, Dolby Audio, and the double-D symbol are trademarks of Dolby Laboratories Licensing Corporation. Manufactured under license from Dolby Laboratories. Confidential unpublished works. Copyright © 1992-2019 Dolby Laboratories. All rights reserved.

PIONEER and the Pioneer logo are registered trademarks of Pioneer Corporation, and are used under license.

Not all apps and content available in LED TV (UHD).

Roku, Roku TV, the Roku logo, and the purple d-pad design are the trademarks or registered trademarks of Roku, Inc. in the United States and other countries. All other trademarks and logos herein are the property of their respective owners.



Distributed and warranted by Best Buy Purchasing LLC
Richfield, MN 55423
©2026 Best Buy. All rights reserved.